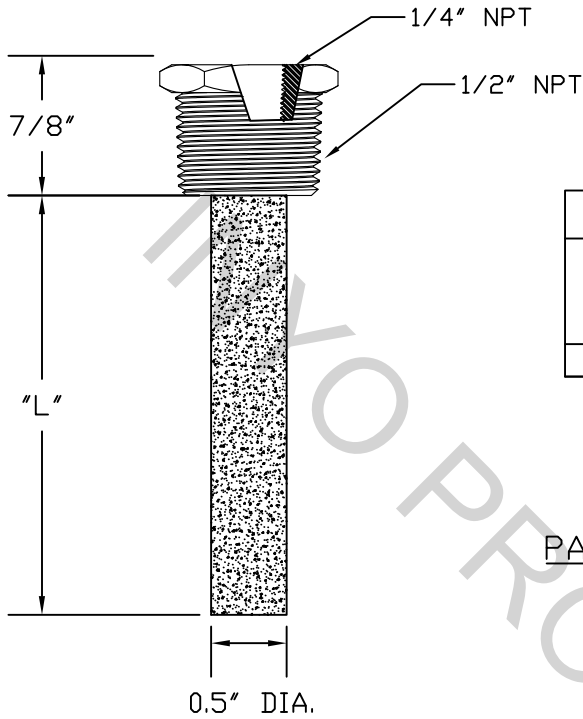


The drawings, specifications or descriptions contained herein, together with all information and know-how disclosed thereby, include technical data which is the exclusive property of Inyo Process. No disclosure to others, either in the United States or abroad, or reproduction of any part of the information supplied is to be made, and no manufacture, sale or use of any device, process or composition of matter disclosed therein, whether patented or not, shall be made except by written authorization of Inyo Process. This notice is not intended to nullify or limit rights granted by contract.

1/2" POROUS SPARGER DIMENSIONS



POROUS SPARGER DIMENSIONS		
NOMINAL CONNECTION SIZE NPT (MALE)	I.D. CONN. SIZE NPT (FEMALE)	SPARGER O.D. (in)
1/2"	1/4"	0.5"

PART NUMBER EXAMPLE "PMT5S4"

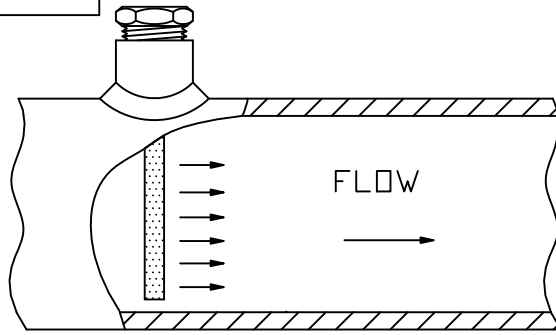
PMT5 S 4

QUILL MAT'L	CODE	LENGTH (in)
316L S.S.	S	1
		2
		3
		4
		5
		6
		7
		8
		9
		10

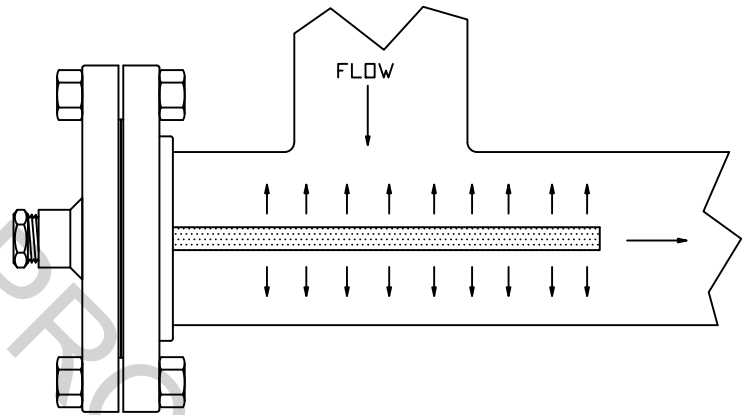
UNLESS OTHERWISE SPECIFIED		INYO PROCESS	
DIMENSIONS ARE IN INCHES DO NOT SCALE DRAWING		DRAWN DBA	WWW.INYOPROCESS.COM
DIMENSIONING AND TOLERANCING PER ASME Y14.5M-1994 AND APPLICABLE STANDARDS		CHECKED ET	1/2" DIAMETER POROUS SPARGERS
DECIMALS .XX ±.030 .XXX ±.010		DESIGN APPROVED	
ANGLES ±1°		MFG. APPROVED	SIZE A
SURFACE ROUGHNESS 125 ✓		QA APPROVED	DRAWING NO PMT-001
RUNOUT .010_TIR		RELEASE DATE 5-1-2010	SCALE -
BREAK CORNERS .005-.015			SHEET 1 OF 2
INTERNAL RADII .015-.030			REV -

The drawings, specifications or descriptions contained herein, together with all information and know-how disclosed thereby, include technical data which is the exclusive property of Inyo Process. No disclosure to others, either in the United States or abroad, or reproduction of any part of the information supplied is to be made, and no manufacture, sale or use of any device, process or composition of matter disclosed therein, whether patented or not, shall be made except by written authorization of Inyo Process. This notice is not intended to nullify or limit rights granted by contract.

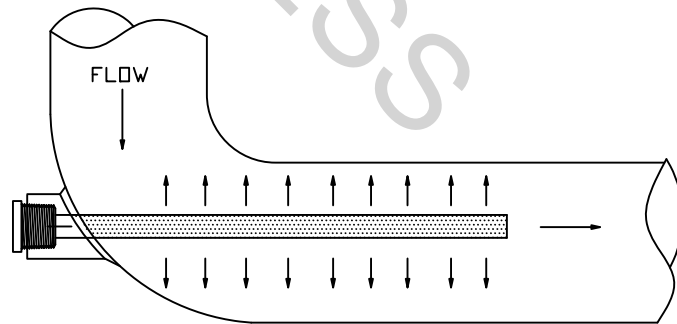
POROUS SPARGER
TYPICAL INSTALLATION



TANGENTIAL (FULL DIAMETER) MOUNTED



TEE MOUNTED



ELBOW MOUNTED

UNLESS OTHERWISE SPECIFIED		INYO PROCESS	
DIMENSIONS ARE IN INCHES DO NOT SCALE DRAWING		DRAWN DBA	WWW.INYOPROCESS.COM
DIMENSIONING AND TOLERANCING PER ASME Y14.5M-1994 AND APPLICABLE STANDARDS		CHECKED ET	1/2" DIAMETER POROUS SPARGERS
DECIMALS .XX ±.030 .XXX ±.010		DESIGN APPROVED	
ANGLES ±1°		MFG. APPROVED	
SURFACE ROUGHNESS 125 ✓		QA APPROVED	
RUNOUT .010_TIR BREAK CORNERS .005-.015 INTERNAL RADII .015-.030		RELEASE DATE 9/24/2000	SIZE A
			DRAWING NO PMT-001
			REV -
		SCALE -	SHEET 2 OF 2