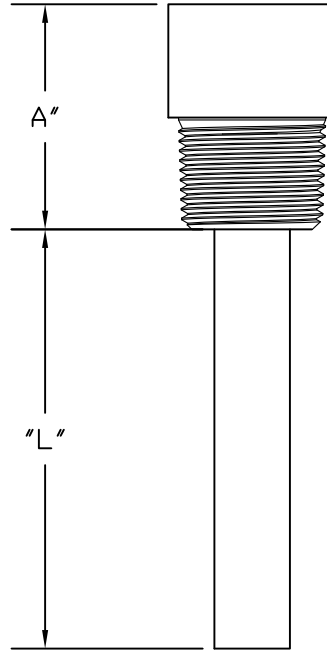


BAYONET END STYLE "B"



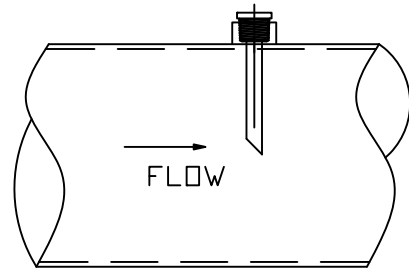
FLAT END STYLE "F"

PVC QUILL DIMENSIONS			
O.D. CONN. SIZE NPT (MALE)	QUILL O.D. (in)	I.D. CONN. SIZE NPT (FEMALE)	"A" (in)
1/2"	.5"	1/2"	2.3"
3/4"	0.68"	1/2"	2.3"
1"	0.8"	3/4"	2.8"
1-1/2"	1.3"	1"	2.8"
2"	1.6"	1-1/2"	2.8"

INSTALLATION NOTES/RECOMMENDATIONS

INSTALL BEVELED EDGE FACING UPSTREAM FOR MAXIMUM CHEMICAL DISPERSAL

FOR SMALLER PIPES (LESS THAN 4" DIA) CUT THE QUILL LENGTH SO THAT CHEMICALS ARE INJECTED IN THE CENTER OF THE PIPE.



UNLESS OTHERWISE SPECIFIED		INYO PROCESS			
DIMENSIONS ARE IN INCHES DO NOT SCALE DRAWING		DRAWN	DBA		
DIMENSIONING AND TOLERANCING PER ASME Y14.5M-1994 AND APPLICABLE STANDARDS		CHECKED	ET		
DECIMALS .XX ±.030 .XXX ±.010		DESIGN APPROVED	PVC/CPVC THREADED QUILLS WITHOUT CHECK VALVE		
ANGLES ±1°		MFG. APPROVED	SIZE	CAGE CODE	DRAWING NO
SURFACE ROUGHNESS 125 ✓		QA APPROVED	A	-	QP-001
RUNOUT .010_TIR		RELEASE DATE	SCALE	WEIGHT	SHEET
BREAK CORNERS .005-.015		7/25/2001	-	-	1 OF 2
INTERNAL RADII .015-.030					REV 1

PART NUMBER EXAMPLE "QP5P2B"

QP 5 P 2 B

O.D. CONN. SIZE NPT (MALE)	CODE
1/2"	5
3/4"	7
1"	10
1-1/2"	15
2"	20

QUILL MAT'L	CODE
PVC	P
CPVC	C

LENGTH (in)
2
3
4
6
10
12
14-24

END STYLE	CODE
BAYONET	B
FLAT	F

POLYMER QUILLS LONGER THAN 6" ARE NOT RECOMMENDED WITHOUT ADDITIONAL SUPPORT STRUCTURE. CONTACT INYD FOR MORE DETAILS.

PVC & CPVC TEMPERATURE & PRESSURE RATINGS

QUILL MAT'L	PRESSURE MAX (PSI)	TEMP MAX (*F)
PVC	150	120
CPVC		180

MAX PRESSURE AT 73°. HIGHER TEMPERATURES WILL REDUCE THIS RATING

UNLESS OTHERWISE SPECIFIED		INYO PROCESS			
DIMENSIONS ARE IN INCHES DO NOT SCALE DRAWING		DRAWN	DBA		
DIMENSIONING AND TOLERANCING PER ASME Y14.5M-1994 AND APPLICABLE STANDARDS		CHECKED	ET		
DECIMALS .XX ±.030 .XXX ±.010		DESIGN APPROVED	PVC/CPVC THREADED QUILLS WITHOUT CHECK VALVE		
ANGLES ±1°		MFG. APPROVED	SIZE	CAGE CODE	DRAWING NO
SURFACE ROUGHNESS 125 ✓		QA APPROVED	A	-	QP-001
RUNOUT .010_TIR		RELEASE DATE	SCALE	WEIGHT	REV
BREAK CORNERS .005-.015		7/25/2001	-	-	1
INTERNAL RADII .015-.030					SHEET 2 OF 2