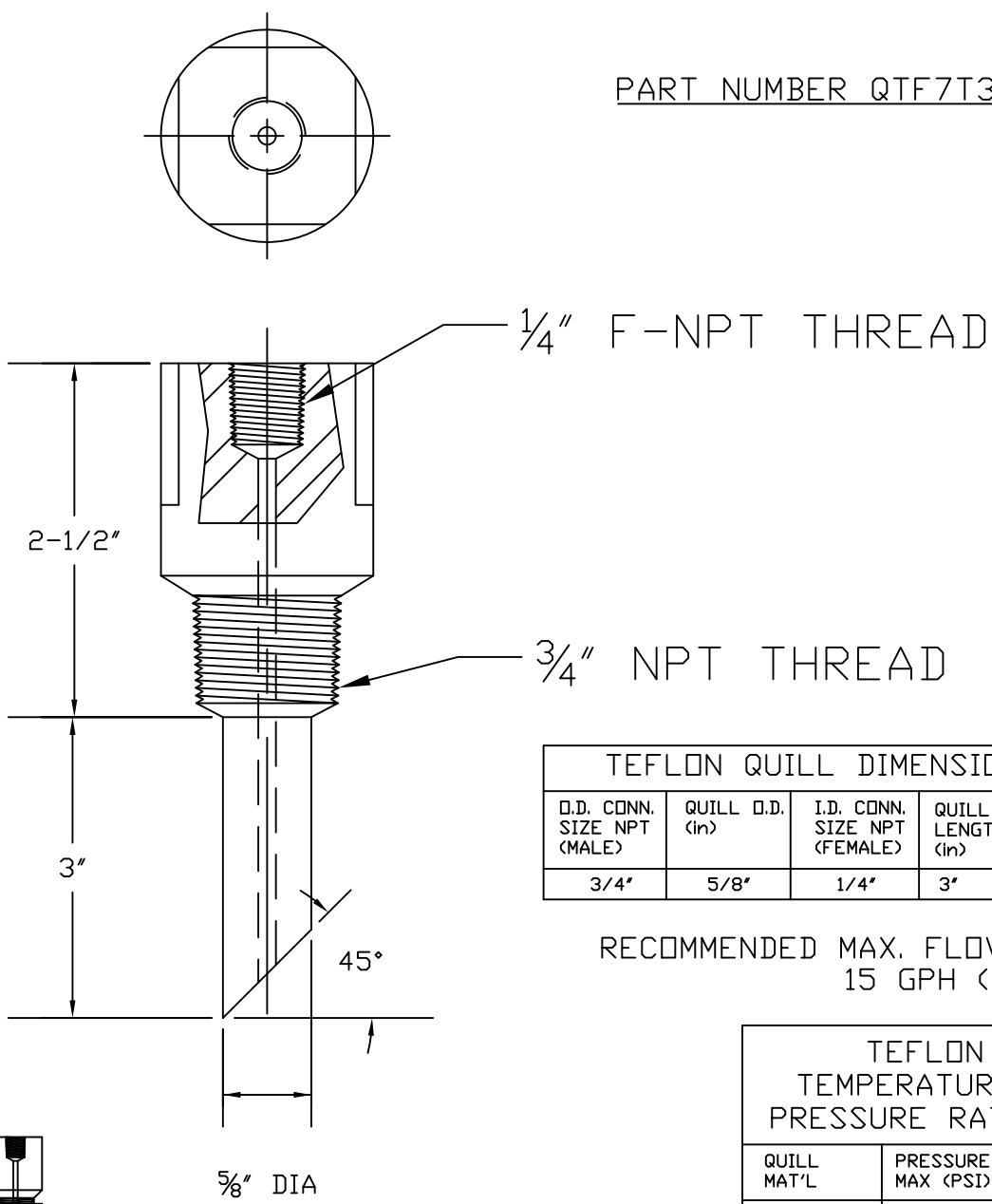


DWG NO QTF-001 SH - REV -

PART NUMBER QTF7T3B

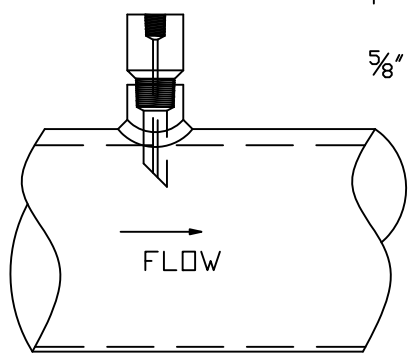


TEFLON QUILL DIMENSIONS					
O.D. CONN. SIZE NPT (MALE)	QUILL O.D. (in)	I.D. CONN. SIZE NPT (FEMALE)	QUILL LENGTH (in)	QUILL I.D. (in)	
3/4"	5/8"	1/4"	3"	1/8"	

RECOMMENDED MAX. FLOW RATE:
15 GPH (56 LPH)

TEFLON TEMPERATURE & PRESSURE RATINGS		
QUILL MAT'L	PRESSURE MAX (PSI)	
TEFLON	60	

MAX PRESSURE AT 73°. HIGHER TEMPERATURES WILL REDUCE THIS RATING



UNLESS OTHERWISE SPECIFIED		INYO PROCESS			
DIMENSIONS ARE IN INCHES DO NOT SCALE DRAWING		DRAWN	WWW.INYOPROCESS.COM		
DIMENSIONING AND TOLERANCING PER ASME Y14.5M-1994 AND APPLICABLE STANDARDS		CHECKED	MODEL # QTF7T3B TEFLON THREADED INJECTION QUILL-NO CHECK VALVE		
DECIMALS .XX ±.030 .XXX ±.010	ANGLES ±1°	DESIGN APPROVED	SIZE A	CAGE CODE -	DRAWING NO QTF-001
SURFACE ROUGHNESS 125 ✓		MFG. APPROVED	SCALE -	WEIGHT -	REV -
RUNOUT .010_TIR	BREAK CORNERS .005-.015	QA APPROVED	SHEET 1 OF 1		
INTERNAL RADII .015-.030		RELEASE DATE 8-1-2012			