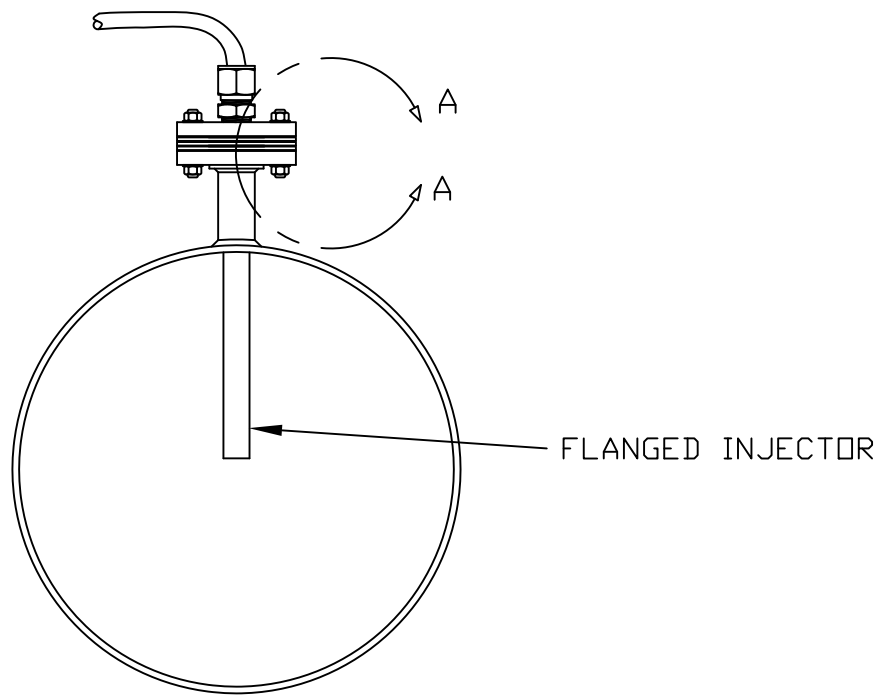
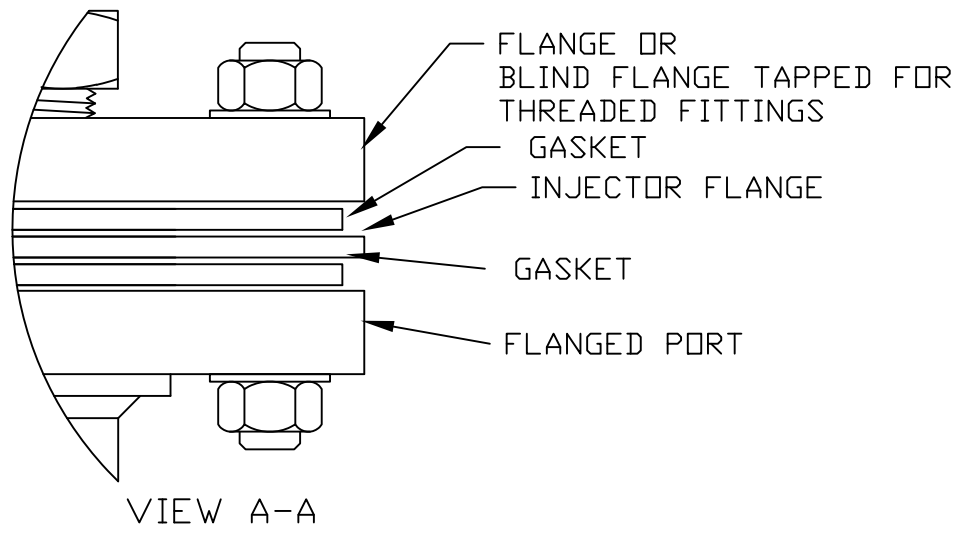


DWG NO FL-1003

SH - REV -

REVISIONS

DESCRIPTION	DATE	APPROVED
-------------	------	----------



UNLESS OTHERWISE SPECIFIED	PROJECT NO.	-	INYO PROCESS			
	DIMENSIONS ARE IN INCHES DO NOT SCALE DRAWING	DRAWN				
DIMENSIONING AND TOLERANCING PER ASME Y14.5M-1994 AND APPLICABLE STANDARDS	CHECKED	EC 04/24/06	FLANGED INJECTORS TYPICAL INSTALLATION DETAIL			
	DESIGN APPROVED	-				
	MFG. APPROVED	-				
	QA APPROVED	-				
DECIMALS .XX ±.030 .XXX ±.010	ANGLES ±1°	SURFACE ROUGHNESS 125 ✓	SIZE	CAGE CODE	DRAWING NO	REV
RUNOUT .010_TIR BREAK CORNERS .005-.015 INTERNAL RADII .015-.030	RELEASE DATE	04/24/06	A	-	FL-1003	-
			SCALE	WEIGHT	SHEET	
			-	-	1	