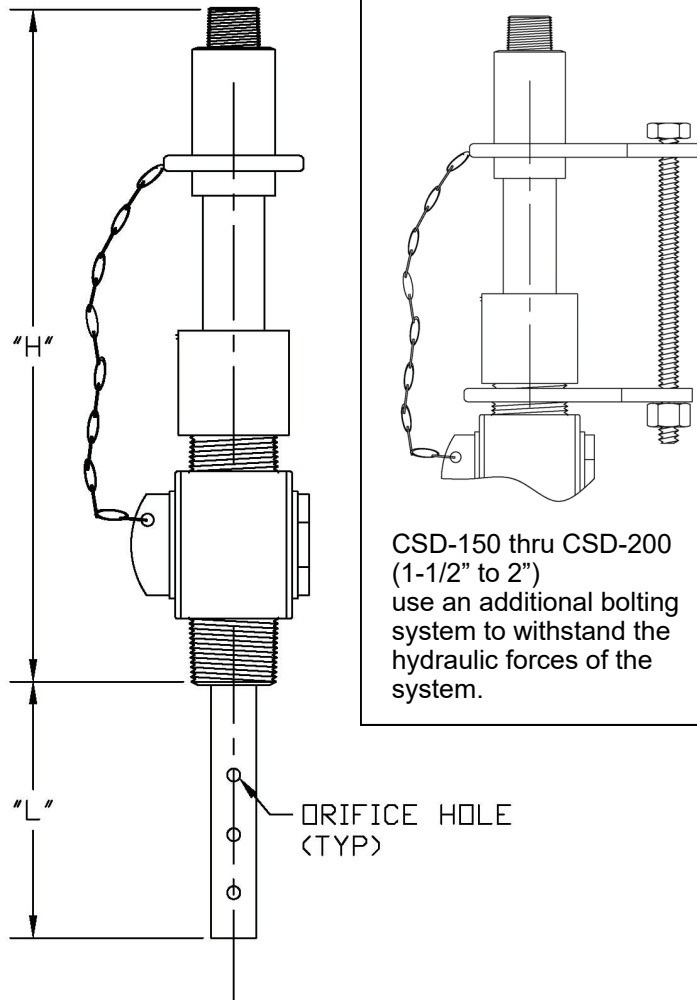


3/4" - 2" THREADED CORPORATION STOP DATA SHEET (CSD- SERIES) REMOVABLE MULTI-ORIFICE DIFFUSER STYLE



SPECIFICATIONS

Multi-orifice diffuser design improves diffusion of chemicals in longer corporation stops.

Solution tubes (quill) available in:

- PVC & CPVC
- Stainless Steel
- Hastelloy C-276
- Titanium

Valve Body available in:

- Brass
- PVC & CPVC
- Stainless Steel

High Strength Stainless Steel Chain. Dual chains secure position of quill and allow for removal of quill. Corporation Stops over 1" include bolt assembly to hold solution tube in place.

150 psi (1034 kPa) design pressure standard up to 1" (CS-100) size. Maximum pressure recommended for 2" is 50 psi.¹ (Larger diameter and higher pressure versions are available).

Corporation Stops are offered without check valves for maximum versatility. Check valves suitable for your specific chemical applications can be supplied.

Flexible hose assemblies are available.

Flanged corporation stops are available.

Model Series	Threaded Connection npt	Solution Tube Nominal Dia.	Inlet Con- nection npt	Length (Min/Avg) "H"	Recommended Max Flow Rate	
					gpm	Liters/min
CSD-075	3/4	3/8"	3/8"	8"-12"	3.3	12
CSD-100	1	1/2"	1/2"	9"-13"	6	23
CSD-150	1-1/2	1"	1	10"-14"	24	91
CSD-200 (see note 1)	2	1-1/2"	1-1/2"	12"-16"	54	204

¹ Be aware of the large hydraulic forces that can exist with a larger diameter injection quill. With a 2" corporation stop, at 50 psi, there is 150 lbs. of force pushing against this quill. Injury or death could occur from these quills. When installing or retracting the quill, use appropriate equipment based upon your application to remove or install the quill for these loads.

MODEL NUMBER
EXAMPLE "CSD075BP6-2-025"



CSD 075 B P 6 - 2 - 025

PORT SIZE (NPT)	
3/4"	075
1"	100
1-1/2"	150
2"	200

VALVE MAT'L	
BRASS	B
STAINLESS STEEL	S
PVC	P
CPVC	C

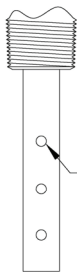
SOLUTION TUBE MAT'L	
PVC	P
STAINLESS STEEL	S
KYNAR <small>(Kynar not available on 3/4" size)</small>	K
HASTEL-LOY C-276	H
TITANIUM	T
CPVC	C

ORIFICE HOLE DIAMETER (in)	
012	1/8"
025	1/4"
038	3/8"
050	1/2"
Custom hole patterns are available	

QUANTITY OF ORIFICE HOLES

LENGTH* - SOLUTION TUBE "L"	
2	2"
4	4"
6	6"
8	8"
LONGER LENGTHS AVAILABLE	

*PVC & KYNAR SOLUTION TUBES LONGER THAN 6" ARE NOT RECOMMENDED UNLESS THERE IS ADDITIONAL SUPPORT. CONTACT INYO PROCESS FOR MORE DETAIL.



ORIFICE HOLE
SPECIFY DIAMETER
& QTY OF HOLES

For standard "Bayonet" style injectors, see the CS series data sheet



CHEMICAL INJECTION ASSEMBLY SPECIFICATION



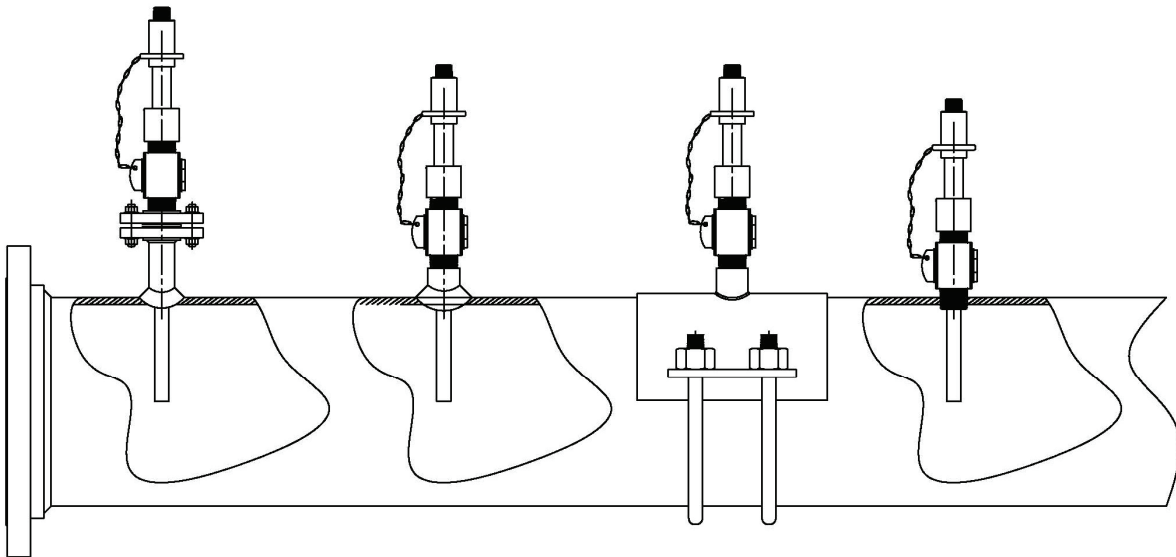
Typical Specification (go to www.inyoprocess.com for additional specifications)

Chemical Injection Assembly

1. Rating 150 psi.
2. Type: Insertion type injection quill.
3. Connection: Connect to process pipe using service saddle(or coupling) and corporation stop.
4. Construction:

Injection assembly shall come complete with corporation stop, solution tube, solution tube adapter, packing nut, safety chain and threaded inlet connection. Solution tube shall be for sufficient length to extend into the process pipe to between one third and one half the pipeline diameter. Solution tube should be a diffuser style with multiple holes for distribution of the injected chemical. Connection must include an acceptable safety device to prevent accidental withdrawal of injection solution tube while under pressure and/or surge conditions. All wetted components shall be compatible with the chemical services. Model “_____” manufactured by Inyo Process or equal that has been preapproved by engineer before the bid.

TYPICAL CORPORATION STOP INSTALLATIONS



Flanged Installation
Drill & Tap blind
flange for Corporation
Stop. Maximum
versatility.

Welded Coupling
Installation for
Corporation Stop.
Weld half coupling or
threadolet to pipe
wall.

Tapping & Service
Saddle for
Corporation Stop.

Corporation Stops
up to 2” size can be
threaded directly into
the pipe depending
upon wall thickness.
Consult with your
pipe supplier for
recommendations.

Corporation Stops over CS 075 size may require a mechanical lift for insertion of the quill due to the hydraulic pressure in the line. Recommendations for insertion jacks and/or equipment set-up may be obtained from Inyo Process.

