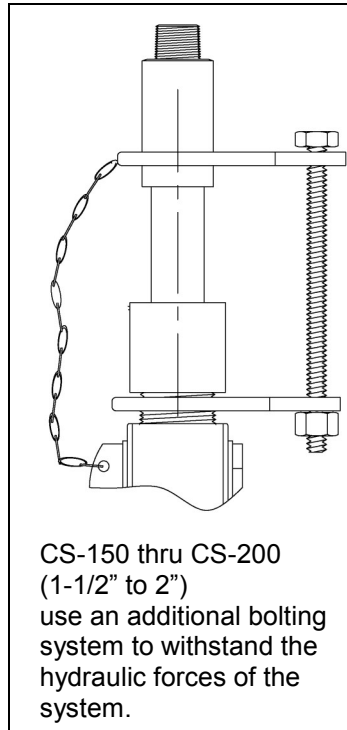
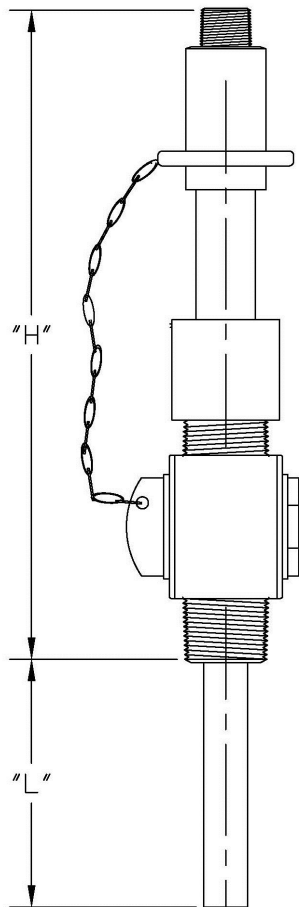


## 3/4" - 2" THREADED CORPORATION STOP DATA SHEET (CS- SERIES) DESIGNED FOR FULL FLOW INJECTION FROM INJECTOR TIP



### SPECIFICATIONS

Solution tubes (quill) available in:

- PVC & CPVC
- Stainless Steel
- Hastelloy C-276
- Titanium

Valve Body available in:

- Brass
- PVC & CPVC
- Stainless Steel

High Strength Stainless Steel Chain. Dual chains secure position of quill and allow for removal of quill. Corporation Stops over 1" include bolt assembly to hold solution tube in place.

150 psi (1034 kPa) design pressure standard up to 1" (CS-100) size. Maximum pressure recommended for 2" is 50 psi.<sup>1</sup> (Larger diameter and higher pressure versions are available).

Corporation Stops are offered without check valves for maximum versatility. Check valves suitable for your specific chemical applications can be supplied.

Flexible hose assemblies are available.

Model Series	Threaded Connection npt	Solution Tube Nominal Dia.	Inlet Connection npt	Length (Min/Avg) "H"	Recommended Max Flow Rate	
					gpm	Liters/min
CS-075	3/4	3/8"	3/8"	8"-12"	3.3	12
CS-100	1	1/2"	1/2"	9"-13"	6	23
CS-150	1-1/2	1"	1	10"-14"	24	91
CS-200 (see note 1)	2	1-1/2"	1-1/2"	12"-16"	54	204

<sup>1</sup> Be aware of the large hydraulic forces that can exist with a larger diameter injection quill. With a 2" corporation stop, at 50 psi, there is 150 lbs. of force pushing against this quill. Injury or death could occur from these quills. When installing or retracting the quill, use appropriate equipment based upon your application to remove or install the quill for these loads.



InyoProcess

MODEL NUMBER  
EXAMPLE "CS075BP6S"

**CS 075 B P 6 F**

PORT SIZE (NPT)	
3/4"	075
1"	100
1-1/2"	150
2"	200

VALVE MAT'L	
BRASS	B
STAINLESS STEEL	S
PVC	P
CPVC	C


SOLUTION TUBE MAT'L	
PVC	P
STAINLESS STEEL	S
KYNAR <small>(Kynar not available in 3/4" size)</small>	K
HASTELLOY C-276	H
TITANIUM	T
CPVC	C

END STYLE-- SOLUTION TUBE	
F	STANDARD - FLAT
B	BEVELED 45°

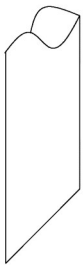
LENGTH - SOLUTION TUBE "L"	
2	2"
4	4"
6	6"
8	8"
LONGER LENGTHS AVAILABLE	

\*PVC & KYNAR SOLUTION TUBES LONGER THAN 6" ARE NOT RECOMMENDED UNLESS THERE IS ADDITIONAL SUPPORT. CONTACT INYO PROCESS FOR MORE DETAIL.

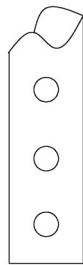
**SOLUTION TUBE -END STYLE**



"F"  
STANDARD  
FLAT END



"B"  
BEVELED  
45°



DIFFUSER STYLE  
*(see CSD data sheet)*

SOLUTION TUBE -END STYLE STANDARD FLAT STYLE AND BEVELED END STYLE ARE SHOWN ON THIS DATA SHEET.

DIFFUSER STYLE (CSD-SERIES) SHOWN ON A SEPARATE DATA SHEET.



# CHEMICAL INJECTION ASSEMBLY SPECIFICATION



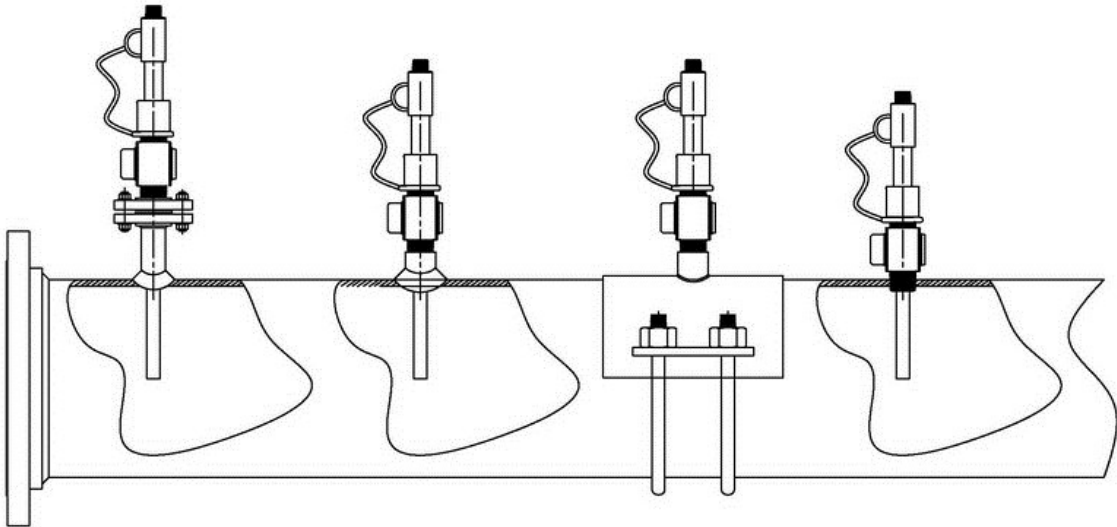
Typical Specification (go to [www.inyoprocess.com](http://www.inyoprocess.com) for additional specifications)

## Chemical Injection Assembly

1. Rating 150 psi.
2. Type: Insertion type injection quill.
3. Connection: Connect to process pipe using service saddle and corporation stop.
4. Construction:

Injection assembly shall come complete with corporation stop, solution tube, solution tube adapter, packing nut, safety chain and threaded inlet connection. Solution tube shall be for sufficient length to extend into the process pipe to between one third and one half the pipeline diameter. Injector should allow for rodding in place. Connection must include an acceptable safety device to prevent accidental withdrawal of injection solution tube while under pressure and/or surge conditions. All wetted components shall be compatible with the chemical services. Manufacturer: Inyo Process or preapproved by engineer equal.

## TYPICAL CORPORATION STOP INSTALLATIONS



**Flanged Installation**  
Drill & Tap blind flange for Corporation Stop. Maximum versatility.

**Welded Coupling Installation for Corporation Stop.**  
Weld half coupling or threadolet to pipe wall.

**Tapping & Service Saddle for Corporation Stop.**

**Corporation Stops up to 2" size can be threaded directly into the pipe depending upon wall thickness. Consult with your pipe supplier for recommendations.**

Corporation Stops over CS 075 size may require a mechanical lift for insertion of the quill due to the hydraulic pressure in the line. Recommendations for insertion jacks and/or equipment set-up may be obtained from Inyo Process.

